

## Ice Makers

### Half Dice Ice, 140kg/24h, 45kg bin, water-cooled

ITEM # \_\_\_\_\_

MODEL # \_\_\_\_\_

NAME # \_\_\_\_\_

SIS # \_\_\_\_\_

AIA # \_\_\_\_\_


**730298 (IHD140I45SNP)**

Ice Maker, Half Dice Ice, 140 kg/24h, self-contained, 45kg ice collection bin included, water-cooled

### Short Form Specification

#### Item No.

Water cooled half dice maker, self-contained with 45kg bin. Compact dimension and height adjustable feet. AISI 304 stainless steel exterior, food grade and internal ice container in ABS, copper evaporator ensure safe contact with ice. Sturdy door opening system in AISI 304 stainless steel. Fully automatic in operation and easy cleanability thanks to the automatic cleaning system. The ice making method guarantees continuous and reliable production, crystalline and hygienically pure ice cubes that quickly cool the drinks down. Electronic board controls the set parameters and sensitive touch-press panel with 2 speed regulation of ice production. Bin with internal corner for easy cleaning and it is fully insulated. Supplied with flexible water supply, drain hoses and scoop. Hydrocarbon refrigerant gas R290 for the lowest environmental impact.

### Main Features

- Easy cleanability guaranteed by an automatic system: the cleaning switch activate the circulation and the rinse of water; at the end of the cycle just swithed again to start producing ice.
- The ice making method guarantees a continuous and reliable production.
- The ice-making method guarantees ice cubes that quickly cool the drinks down.
- Water consumption and productivity calculated using 15°C water temperature and 21°C ambient temperature.
- Compact dimensions of the ice cubers make them highly suitable for any location, particularly those where space is at a premium.
- Fully automatic in operation.
- Rounded internal corners of the bin assure ease of cleaning.
- Food grade ABS interior.
- Suitable for gravity drain only.
- Bin included.
- Compliant to CE requirements for safety.

### Construction

- Reliability guaranteed by the quality of the construction materials used (front, top and sides in 304 AISI stainless steel) and the sophisticated product and process technology involved.
- Thanks to a vertical evaporator, the appliance guarantees considerable ice production in a short time: the cubes detach individually and fall into the bin, perfectly separated from each other and of equal size (6 g).
- The sprayers are easy to take away, permit a simple flowing and prevent limestone formation.
- AISI 304 stainless steel exterior.
- Copper evaporator ensures a safe contact with ice.
- Sturdy door opening system made in AISI 304 stainless steel.
- Internal ice containers in ABS.
- Hygienical plastic spray arms removable without the use of tools.
- Supplied with flexible water supply, drain hoses and scoop.
- Easy access to the main components for maintenance.
- ON-OFF rocker switch.
- Adjustable 105-155mm feet.
- Plug as standard (schuko type).

### Sustainability

- Hydrocarbon refrigerant gas R290 for the lowest environmental impact (GWP=3) - CFC and HCFC free.
- Reduced energy consumption by fully insulated storage bin.

APPROVAL: \_\_\_\_\_



**Electrolux**  
PROFESSIONAL

**Ice Makers**  
**Half Dice Ice, 140kg/24h, 45kg bin,**  
**water-cooled**

### Optional Accessories

- Drain pump kit

PNC 880690

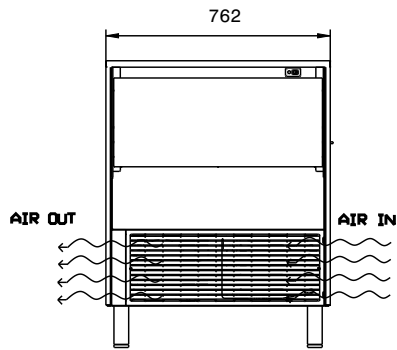


**Ice Makers**  
**Half Dice Ice, 140kg/24h, 45kg bin, water-cooled**

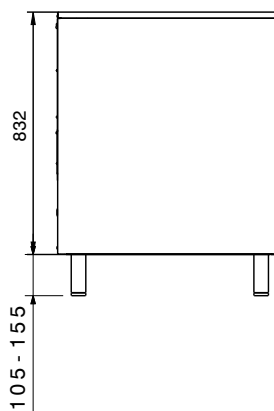
The company reserves the right to make modifications to the products without prior notice. All information correct at time of printing.

2024.09.25

Front

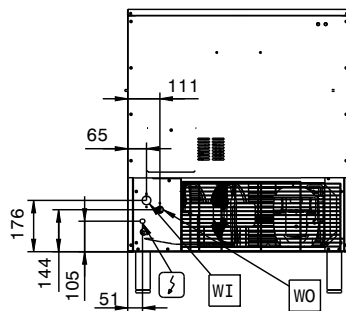


Side

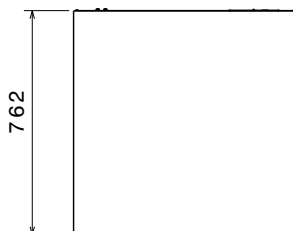


CWI1 = Cold Water inlet 1 (cleaning)    WOC = Cooling water outlet  
 D = Drain  
 EI = Electrical inlet (power)  
 WIC = Cooling water inlet

Rear side



Top



### Electric

**Supply voltage:**  
 730298 (IHD140I45SNP)    220-240 V/1N ph/50 Hz  
**Electrical power max.:**    1.4 kW

### Capacity:

**Bin capacity:**    45 kg

### Key Information:

**External dimensions, Width:**    762 mm  
**External dimensions, Depth:**    762 mm  
**External dimensions, Height:**    937 mm  
**Net weight:**    74 kg  
**Output:**    140 kg/day  
**Kind of cube:**    Ice Cube 6 g

### Sustainability

**Refrigerant type:**    R290  
**Refrigerant weight:**    135 g  
**Water consumption:**    70.4 lt/hr